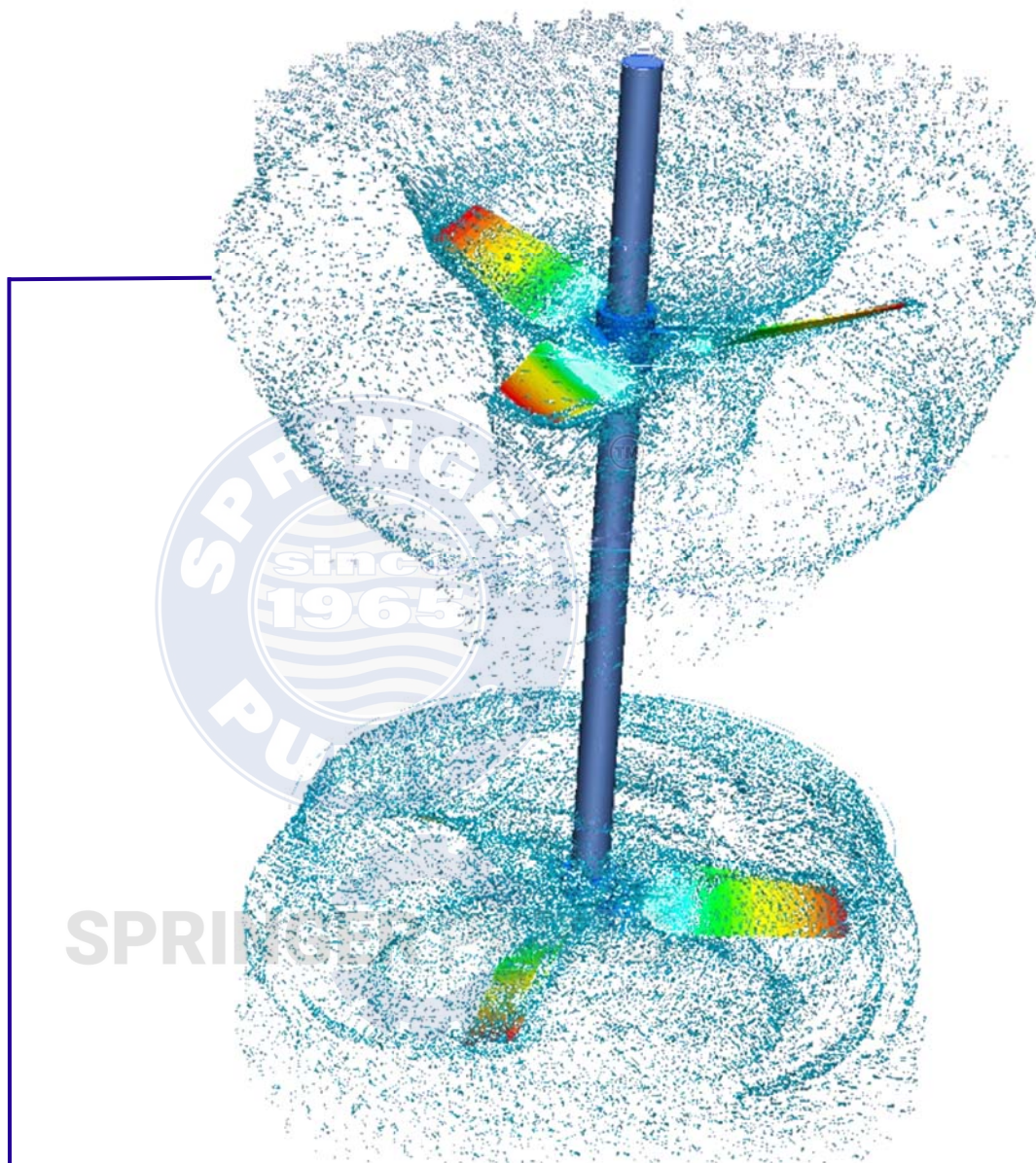


UET Mixers



SPRINGER PUMPS

Compete against yourself

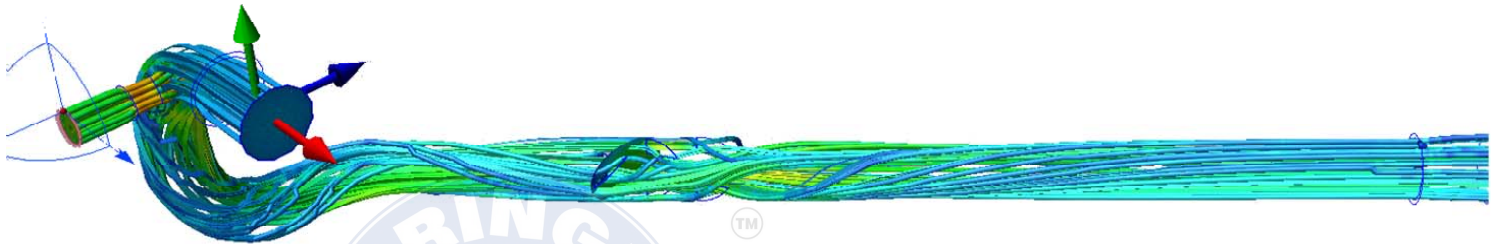
North America: 866 777 6060
Int'l: +1 267 404 2910

Springer Pumps
Springer Parts

www.springerpumps.com
www.springerparts.com

Welcome to UET Mixers. When you're an employee owned company, you understand the importance of putting the customer first. Thank you to all the valued partners we have worked with over the past 30 years. Your success is our success.

Give us a call anytime. We're always excited to talk about mixing!



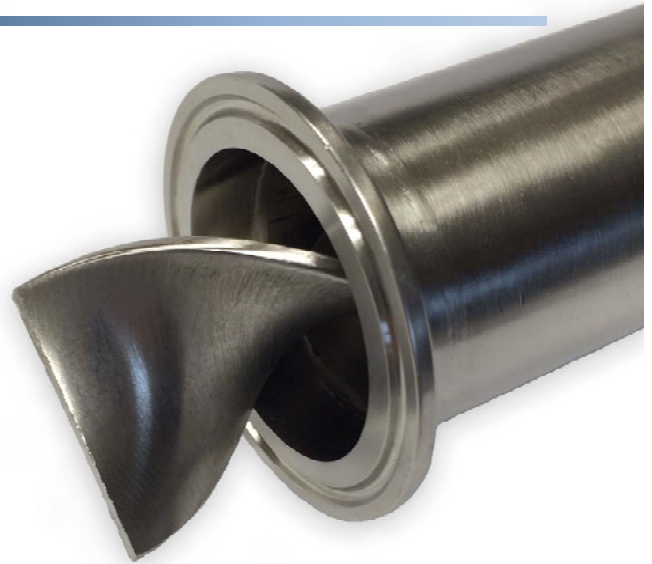
Manufacturing Team

North America: 866 777 6060
Int'l: +1 267 404 2910

Springer Pumps
Springer Parts

www.springerpumps.com
www.springerparts.com

Agitators (Starting on page 4)



Static Mixers (Starting on page 14)



- 30+ YEARS EXPERIENCE
- QUOTES AND DELIVERY - ON YOUR SCHEDULE
- MIXERS BUILT TO LAST
- PROUDLY MANUFACTURING IN MAINE
- EMPLOYEE-OWNED



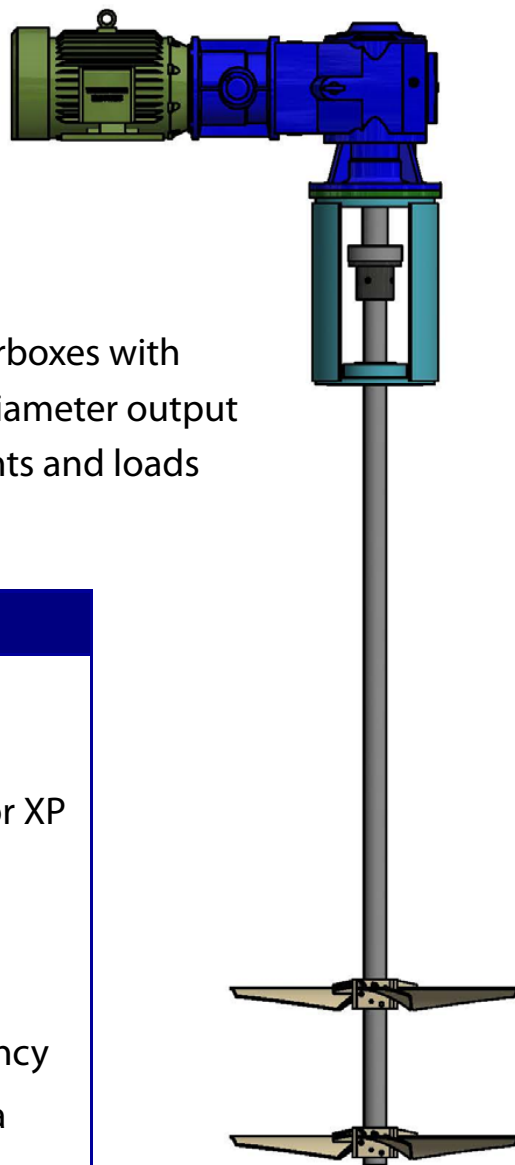
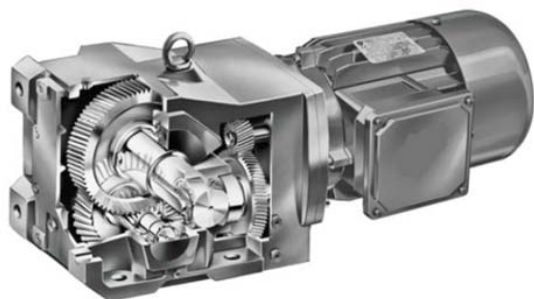
North America: 866 777 6060
Int'l: +1 267 404 2910

Springer Pumps
Springer Parts

www.springerpumps.com
www.springerparts.com

XCEL-200N to 600N Series Agitators

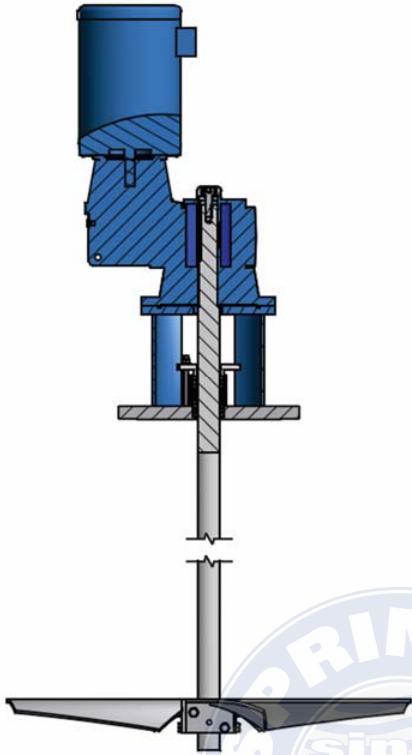
XCEL-200N to 600N Series mixers are engineered and manufactured specifically for the demanding operating parameters associated with difficult mixing applications.



XCEL-200N to 600N mixers feature custom gearboxes with helical/spiral bevel gear combinations. Large diameter output shafts accommodate the high bending moments and loads associated with these types of applications.

Specifications	
HP Rating:	Up to 1000 HP
Speed Range:	1 to 350 rpm
Motor:	NEMA foot or C-face, TEFC or XP
Gear Drive:	Helical and bevel gear configurations
Pumping Rate:	Up to 500,000 gpm
Impeller:	Hydrofoil for highest efficiency
Shaft:	Up to 50 feet long without a steady bearing
Mounting:	Baseplate or flange mount

XCEL-15 to 24 Series Agitators



XCEL-15 to 24 Series mixers are ideal for a wide range of applications, where efficiency and dependability are key. The gearbox uses high efficiency helical gears and oversized bearings to handle long shafts with high overhung loads.

Parallel drive gearboxes provide a vertical mount with a minimal footprint. The use of oversized and spread output greased bearings result in an extended gearbox service life.

Typical mounting options include baseplate or flange.

Specifications

HP Rating:	Up to 200 HP
Speed Range:	1 to 400 rpm
Motor:	NEMA C-face, TEFC or XP
Gear Drive:	High efficiency helical
Pumping Rate:	Up to 86,000 gpm
Impeller:	Hydrofoil for highest efficiency
Shaft:	Up to 50 feet long without a steady bearing
Mounting:	Baseplate or flange mount





North America: 866 777 6060
Int'l: +1 267 404 2910

Springer Pumps
Springer Parts

www.springerpumps.com
www.springerparts.com

XCEL-3 to 10 Series Agitators

Each XCEL-3 to 10 Series mixer is designed and manufactured for your specific application, using high quality components, engineered for dependable mixer service.

XCEL-3 to 10 Series mixers are available with pumping rates up to 54,000 gpm and utilize standard industrial motors up to 25 hp.

Typical applications include storage tanks and water treatment.



Specifications

HP Rating:	Up to 25 HP
Speed Range:	1 to 350 rpm
Motor:	NEMA C-face, TEFC or XP
Gear Drive:	Worm and helical/worm
Pumping Rate:	Up to 54,000 gpm
Impeller:	Hydrofoil for highest efficiency
Shaft:	Up to 20 feet long without a steady bearing
Mounting:	Baseplate or flange mount

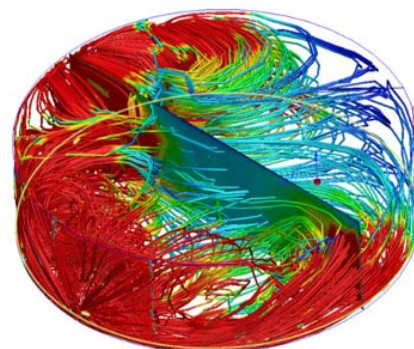
Side Entering Agitators

UET Side Entering mixers are designed and built in the same manner as our top entering mixers. They are commonly used in petroleum and pulp and paper applications. Industrial motors and mechanical seals are used with rugged cast iron gearboxes, featuring oversized bearings to carry horizontal shafts.



Specifications

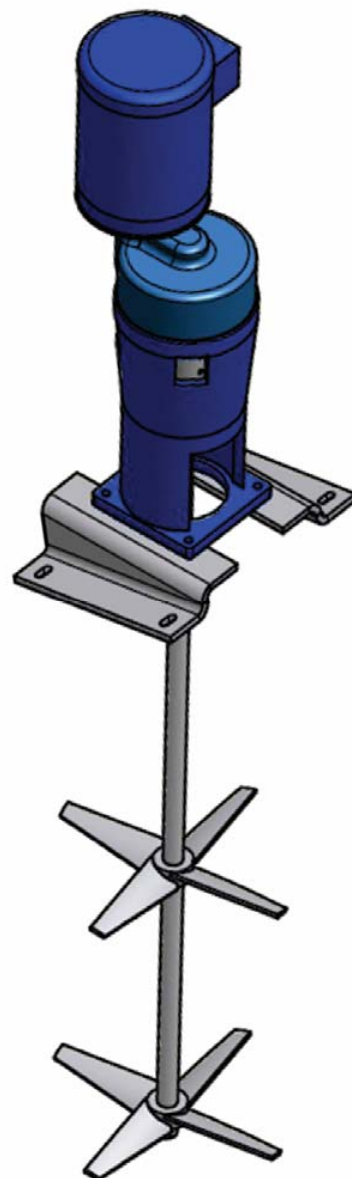
HP Rating:	Up to 100 HP
Speed Range:	1 to 350 rpm
Motor:	NEMA C-face or foot mounted, TEFC or XP
Gear Drive:	Helical or Worm
Pumping Rate:	Up to 31,000 gpm
Impeller:	Hydrofoil
Mounting:	Flange
Seal:	Mechanical seal or stuffing box



XCEL-2 Series Agitators



The perfect solution for mixing low viscosity fluids in batches under 1,000 gallons. The XCEL-2 mixer offers high pumping rates and a cost effective price tag. These mixers include industrial motors, rugged cast iron gearboxes, hardened steel gears, and anti-friction bearings.



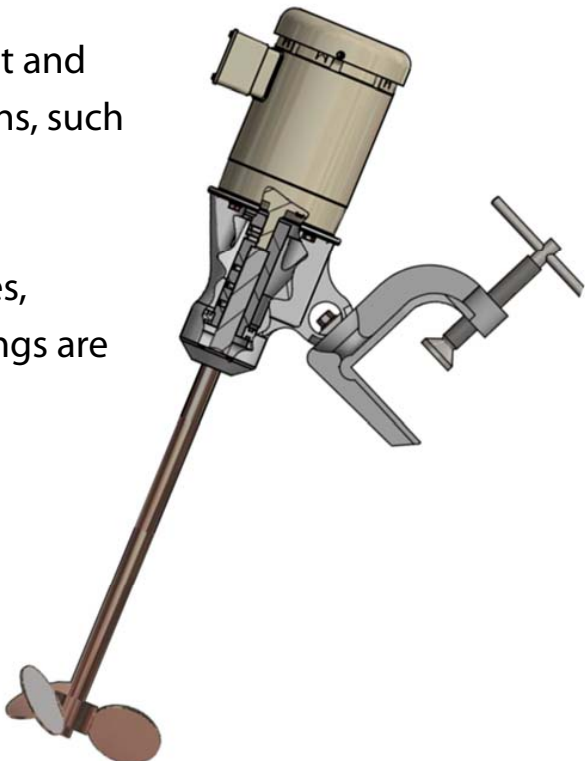
Specifications

HP Rating:	Up to 5 HP
Speed Range:	230 to 1800 rpm
Motor:	NEMA C-face, TEFC or XP
Gear Drive:	High efficiency helical
Pumping Rate:	Up to 7,000 gpm
Impeller:	Hydrofoil for highest efficiency
Shaft:	Up to 12 feet long without a steady bearing
Mounting:	Baseplate or flange mount

Portable Agitators

UET Mixers' portable agitators are built to last and designed to handle tough mixing applications, such as lime makedown and polymer storage.

Industrial motors with standard NEMA frames, hardened steel gears, and anti-friction bearings are all standard.



Specifications	
HP Rating:	Up to 3 HP
Speed Range:	230 to 1800 rpm
Motor:	NEMA C-face, TEFC or XP
Gear Drive:	High efficiency helical
Pumping Rate:	Up to 5,000 gpm
Impeller:	Hydrofoil for highest efficiency
Shaft:	Up to 8 feet long
Mounting:	Adjustable C-clamp or saddle plate

Magnetic Drive Agitators

Yes, UET Mixers manufacture magnetic drive agitators!

These specialty mixers can be mounted on the top, side, or bottom of a vessel. Mag drive mixers offer a seal-less, leak proof design that eliminates contamination and assures operator safety. There is no need for a mechanical seal or lubrication system.



Available options include, but are not limited to:

- Sanitary finish for wetted parts
- Rated temperature to 650 F
- Rated pressure to 3,000 psi
- Speed sensors, tachometers, and power monitors

Specifications

HP Rating:	Up to 75 HP
Speed Range:	1 to 500 rpm
Motor:	NEMA C-face, TEFC or XP
Gear Drive:	Helical, Bevel, Worm
Pumping Rate:	Up to 200,000 gpm
Impeller:	All Options
Mounting:	Flanged bearing stand, Dry running bearings, Magnetic seal-less coupling



PL-V Pipeline Shear Mixer / Line Blender

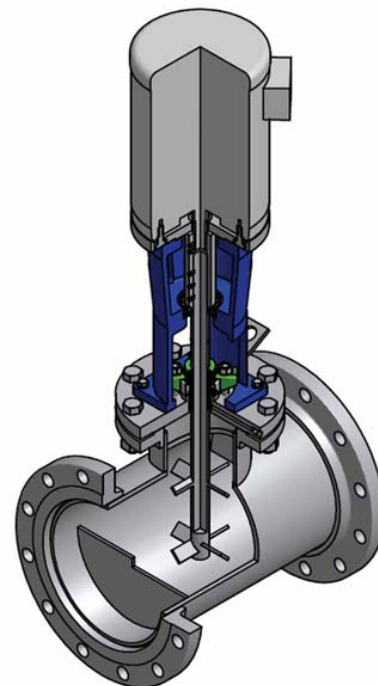


In a UET Mixers Pipeline Mixer, the fluids enter a high shear zone where they experience intense mixing. These mixers are designed for continuous processing, where the fluids require more shear than a static mixer can provide.

Mechanical Pipeline Mixers can be used to blend miscible fluids or disperse immiscible fluids. Pipeline Mixers are available in a wide range of configurations and materials, and can be mounted at any angle to meet process requirements.

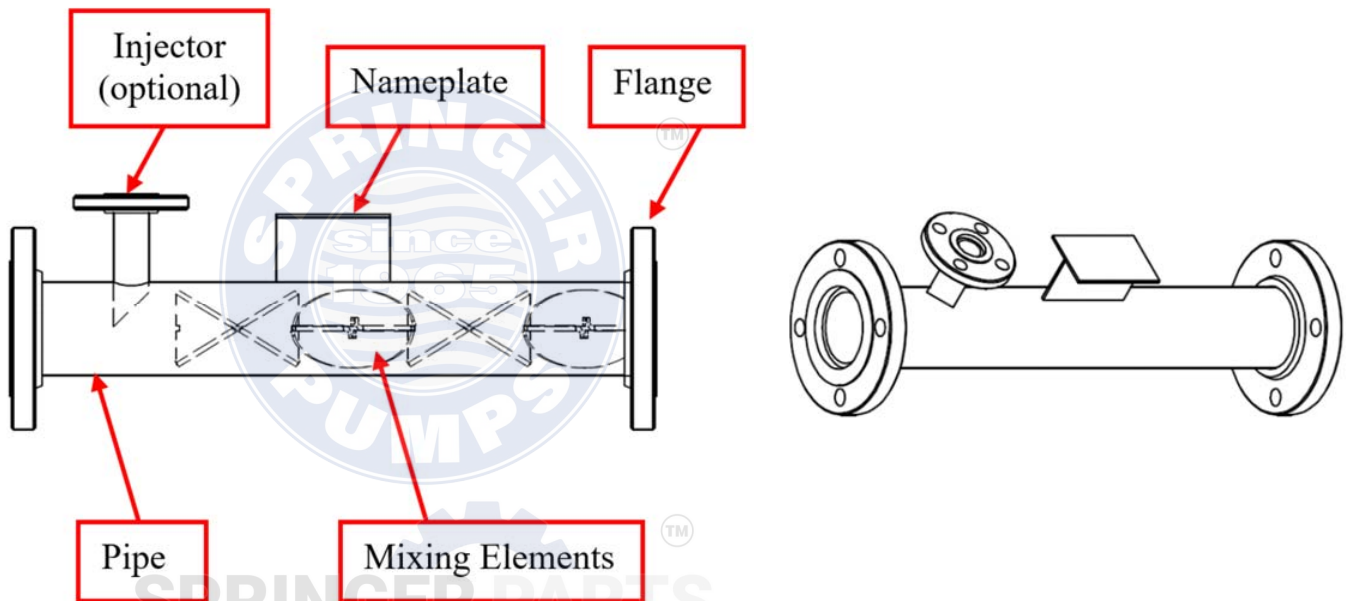
Specifications

Line Size:	Up to 24" dia. pipe housing
HP Rating:	Up to 20 HP
Mounting:	ANSI flanged ends
Speed Range:	350 to 3600 rpm
Motor:	NEAM C-face, TEFC or XP
Impeller:	Axial or Radial
Fluid Viscosity:	Up to 10,000 cPs
Pressure Rating:	Up to 300 psig



Static Mixers

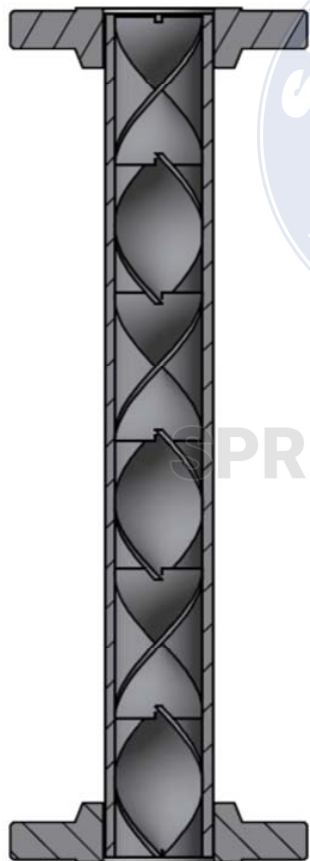
Static mixers are a terrific, time-tested solution for in-line mixing of both miscible and immiscible fluids. Static mixers provide reliable, predictable mixing. They are capable of mixing process fluids with multiple liquid streams, multiple gas streams, or a combination of both. Static mixers perform well in all flow regimes, from creeping laminar to highly turbulent. They have no moving parts, need no direct energy, and require no maintenance. They are economical in terms of capital, operation, and maintenance costs.



Fiberglass Static Mixer

Helical Static Mixers (Series 1)

Series 1 static mixers utilize 180-degree helical elements. They are available in a wide range of materials and end connections, with optional ports, jackets, and more. These mixers are a terrific solution for a wide variety of in-line mixing applications, including general chemical, food & beverage, pharmaceutical, and more.



180-degree helical elements are a proven solution you can trust. Materials of construction include a wide variety of metals, Teflon, sanitary, and more.

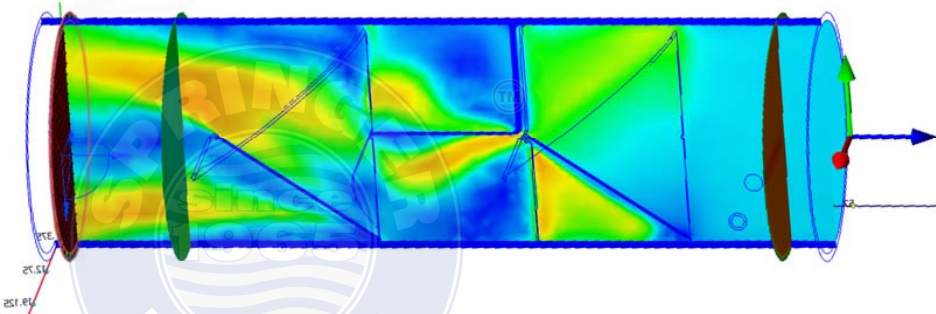
Specifications

Pipe Diameter:	1/2" to 24"
Element Style:	180-degree helices
End Connections:	Flanged, Threaded, Ferruled, or Plain
Materials of Construction:	Nearly any metal, Teflon, Kynar, sanitary, and more
Common Applications:	Almost all liquid/liquid, gas/gas, or liquid/gas applications

Whirled Static Mixers (Series 2)

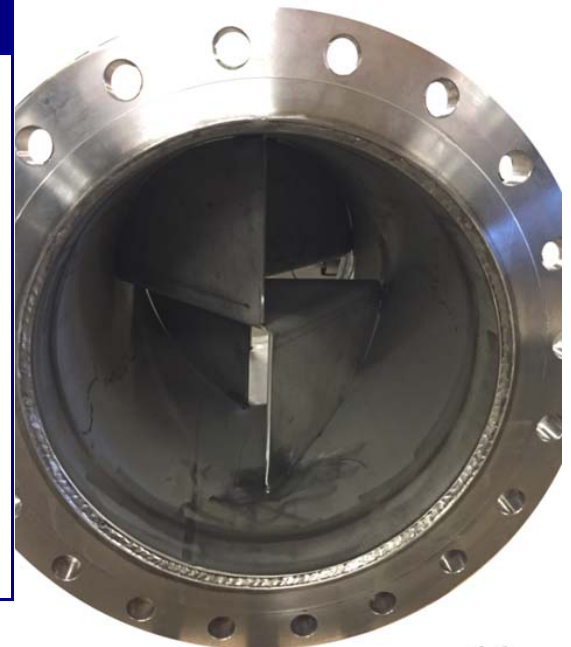


Series 2 static mixers feature UET's Whirled mixing elements, which are both bent and twisted. These mixing elements result in a shorter overall length than traditional static mixers, yet still provide terrific mixing performance. UET Whirled elements are used in many industries, including chemical/petrochemical, oil & gas, food & beverage, water treatment, and more. Materials of construction include a wide variety of standard and exotic metals, fiberglass, Teflon, PVC/CPVC, etc.



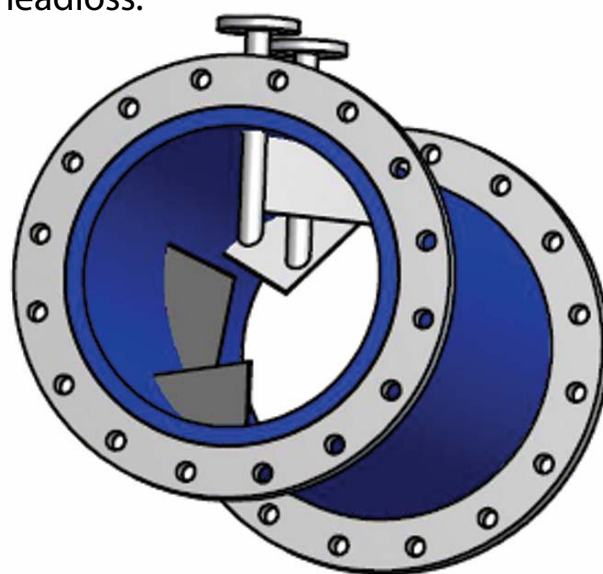
Specifications

Pipe Diameter:	4" to 48"
Element Style:	UET Whirl TM
End Connections:	Flanged, Threaded, or Plain
Materials of Construction:	Nearly any metal, Many coatings, Fiberglass, PVC, CPVC, etc.
Common Applications:	Almost all liquid/liquid, gas/gas, or liquid/gas applications



Foil Static Mixers (Series 3)

UET's Foil static mixers are best suited for applications with highly turbulent flow, such as water treatment and gas blending. The mixer consists of custom engineered, 45-degree mixing foils, welded inside of the pipe. These mixing foils create specific flow patterns that produce extremely efficient mixing with minimal headloss.

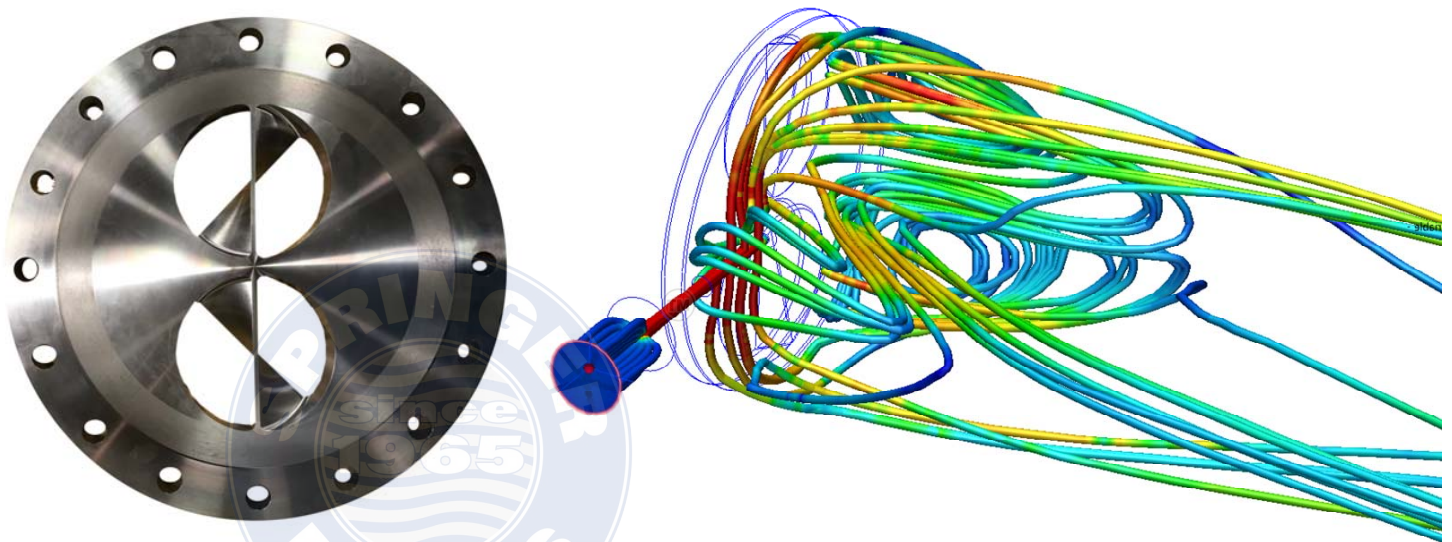


Specifications

Pipe Diameter:	4" to unlimited
Element Style:	45-degree Foil
End Connections:	Flanged, Threaded, or Plain
Materials of Construction:	Nearly any metal
Common Applications:	Water and Wastewater Treatment, Gas Blending

PAC Static Mixers

PAC wafer-style static mixers are an ideal solution for highly turbulent mixing applications, when minimal space is available. These mixers are typically installed between two flanges. While most commonly used in the water treatment industry, PAC mixers can be used to add mixing wherever space restrictions exist.



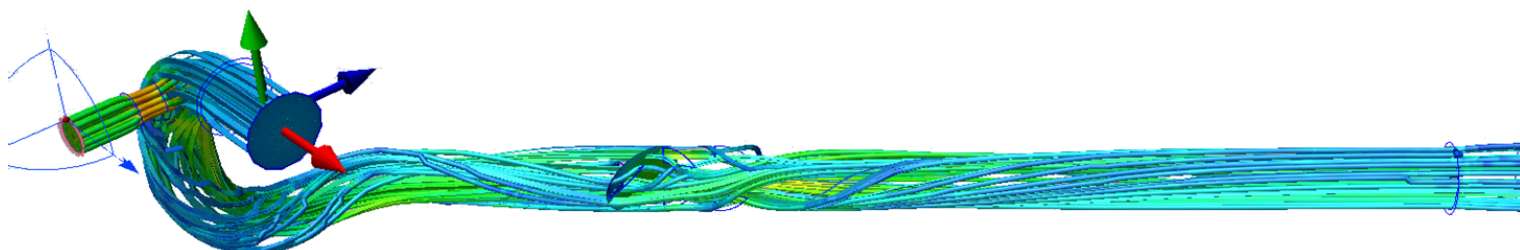
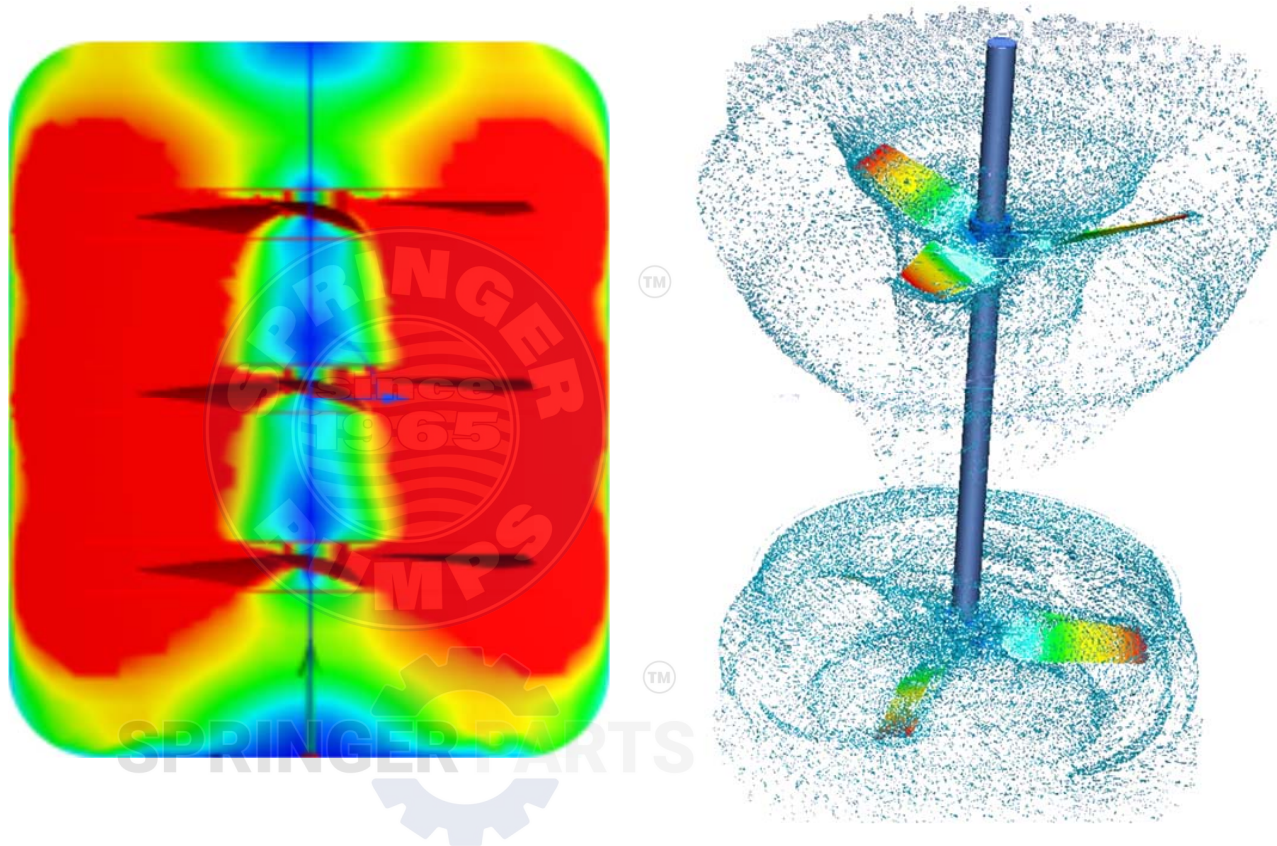
Specifications

Pipe Diameter:	4" to unlimited
Element Style:	Helical wafer TM
End Connections:	Plain or Flanged
Materials of Construction:	Nearly any metal, PVC, and CPVC
Common Applications:	Limited Space, Water and Wastewater Treatment



Design Philosophy

UET Mixers uses **proprietary mixer design software**, computational fluid dynamics (CFD), and good old-fashioned experience to delivery custom mixer designs that meet the requirements of your specific application. We will work with you to completely analyze your process and design the perfect mixing solution.



Agitator Impellers

Axial



Hydrofoil



Intermig



45° Pitch



Propeller

Radial



90°



Rushton



Gas



Dispenser



Shear

Special



Anchor



Ribbon

Process Support

- Troubleshooting
- Scale Up/Down
- CFD Testing
- R&D Support
- CAD Drawings
- Applications Engineering

UET Mixers

A division of Downeast Machine & Engineering, Inc.

26 Maple St., Mechanic Falls, ME 04256

Phone: 207-345-3330

E-mail: sales@uetmixers.com

Website: www.uetmixers.com